

turborex

PATENTED PNEUMATIC BRAKE



PATENTED TENSION BRAKE WITH MULTIDISC SYSTEM AND DOUBLE FAN VENTILATION

The Turborex, pioneer of eco-friendly brakes improves the unwinding efficiency while ensuring the highest performance and the least maintenance requirements for spare parts.

Thanks to double-fan ventilation, the brake reaches lower and more uniform temperatures, even in the most demanding applications.

This prevents brake components from overheating, avoids flickering during tensioning, and allows more contained and homogeneous pad wear, as well as less powder pollution.

Turborex can fit any applications thanks to its high versatility that ensures the maximum sensitivity.

HIGH POWER DISSIPATION

up to 14 kW

MAXIMUM SENSITIVITY

the piston configuration can be customized according to torque requirements

100% PLUG AND PLAY

multiple air connections; turborex matches all existing control systems

REDUCED MAINTENANCE

discs and pads kit specially designed to last

LINEAR TENSION CONTROL

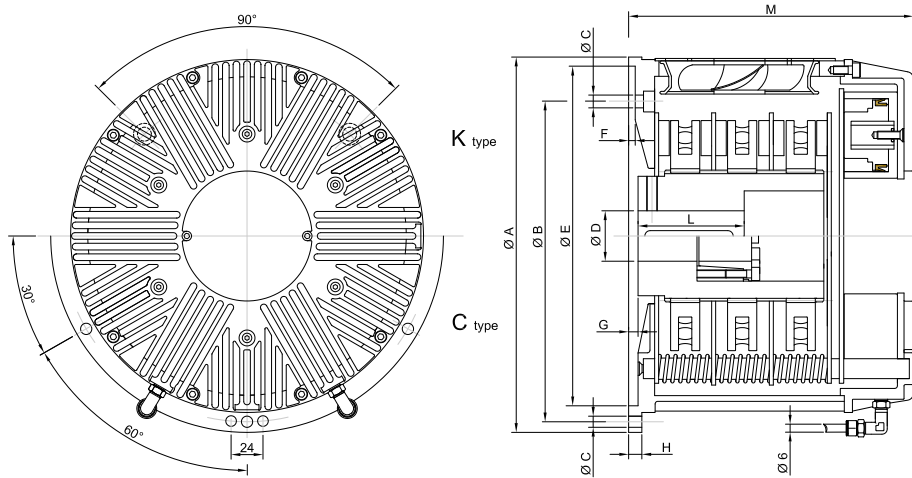
brake components providing high performances through the whole working process

EASY AND FAST INSTALLATION

customizable flange to fit all roll stands, no modification to the machine are required

TXHD

Turborex HD models are provided with HD discs to reach heat dissipation levels never reached before. It is a great solution for applications that require to drastically reduce the working temperatures.



dimensions K type	TX HD 150	TX HD 160	TX HD 180	TX HD 240	dimensions C type	TX HD 150	TX HD 160	TX HD 180
A	266	266	266	340	A	296	296	296
B	218	218	218	322	B	280	280	280
C	4x10.5	4x10.5	4x10.5	4x12.5	C	6x8.5	6x8.5	6x8.5
D max	60	60	60	90	D max	60	60	60
E +0.1/+0.05	256	256	256	306	E +0.1/+0.05	256	256	256
F	5	5	5	5	F	5	5	5
G	5	5	5	8	G	5	5	5
H	/	/	/	21	H	12	12	12
L	50	60÷93	60÷140	60÷156	L	50	60÷93	60÷140
M	98	164	198	232	M	98	164	198

TXHD150	TX HD 150.05	TX HD 150.10	TX HD 150.15	TX HD 150.20	TX HD 150.25	TXHD180	TX HD 180.30	TX HD 180.40	TX HD 180.60	TX HD 180.75	TX HD 180.120
min torque Nm (0,2 bar)	2	3	4	5	8	min torque Nm (0,2 bar)	10	13	19	25	37
max torque Nm (6 bar)	55	99	132	191	250	max torque Nm (6 bar)	298	396	562	750	1125
heat dissipation (standard fan)	2 kW	2 kW	2 kW	2 kW	2 kW	heat dissipation (standard fan)	5 kW	5 kW	5 kW	5 kW	5 kW
heat dissipation (no fan)	1 kW	1 kW	1 kW	1 kW	1 kW	heat dissipation (hp fan)	9 kW	9 kW	9 kW	9 kW	9 kW

TXHD160	TX HD 160.15	TX HD 160.20	TX HD 160.25	TX HD 160.40	TX HD 160.50	TXHD240	TX HD 240.50	TX HD 240.80	TX HD 240.100	TX HD 240.150	TX HD 240.210
min torque Nm (0,2 bar)	4	7	8	10	16	min torque Nm (0,2 bar)	17	26	35	52	70
max torque Nm (6 bar)	132	198	264	382	500	max torque Nm (6 bar)	525	787	1050	1575	2100
heat dissipation (standard fan)	3 kW	3 kW	3 kW	3 kW	3 kW	heat dissipation (standard fan)	12 kW	12 kW	12 kW	12 kW	12 kW
heat dissipation (no fan)	1.5 kW	1.5 kW	1.5 kW	1.5 kW	1.5 kW	heat dissipation (hp fan)	14 kW	14 kW	14 kW	14 kW	14 kW