

## REEL TURNER FOR ROTATING AND REORIENTING FLANGED REELS

Moviroll ancillary equipment integrates the functionality of the pneumatic and battery powered roll pushers, as they support the operator in all operations related to the handling of loads: reels and drums might need to change direction without compelling the worker to use brute force.

Renova's Reel Turner allows the operator to reorient flanged wire&cable reels on a smooth flat floor without effort and in total safety.

With Moviroll roll pushers the operator can lift the reel onto Reel Turner: one flange remains on the ground while the other can be rotated around it. An alternate way to turn the reel is to use the tilting handle to apply the rotation, pulling instead of thrusting the reel. After safely rotating it into the correct position, the reel can be discharged.

### EASY TO CARRY

it can be placed wherever needed, with just one hand

### TILTING HANDLE

the reel can be pulled or pushed

### REINFORCED CHASSIS

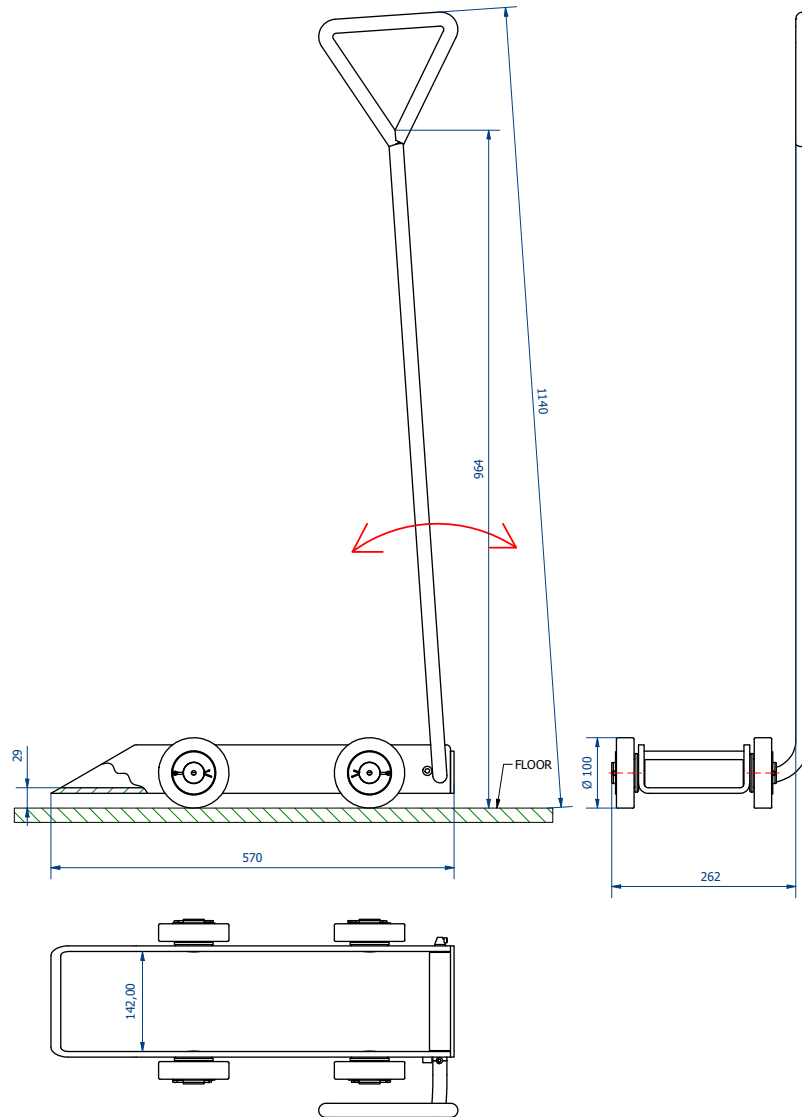
for easy handling of reels up to 8 tons

### ROTATES 360°

to reorient the load in any direction

# REEL TURNER

Ideal for rotating or reorienting flanged reels (as wire and cable reels) up to 8000 kg.



model	load capacity	rotation	unit weight	unit dimensions
RTS8000	8000 kg	360°	16 kg	262 x 570 x 1140 mm

**renova srl**  
registered office : via palmanova 24, 20132 milano - italy  
operational hq: viale rimembranze 93, 20099 sesto s. g., milano - italy  
VAT IT03758670965 | REA MI-1699970 | share capital. €10.000,00

**www.renova-srl.com**  
support@renova-srl.com  
info@renova-srl.com  
t. +39 02 27007394

