

# **moviroll**

## **BATTERY ROLL PUSHERS**



### **MORE PRODUCTIVITY, HIGHER SAFETY LEVEL**

Moviroll roll pushers improve the productivity and increase the safety level as they allow the operator to effortlessly and safely maneuver both large and small cylindrical loads. Moviroll reduces risks for the operator according to the Technical Standards ISO 11228 "Ergonomics Manual handling".

They are ideal to move paper and cardboard rolls, but they are also used to move loads in several other industrial applications.

Battery roll pushers offer the advantage of free movement without the constraints of the pneumatic connections or electrical cables. They are powered by high performance and plug&play 24 V or 48 V lithium battery.

### **VARIABLE SPEED**

to suit any operator needs

### **OVERSIZED WHEELS**

to easily overcome any obstacles along the way

### **PLUG&PLAY BATTERY**

the plug&play eco-friendly lithium battery allows one-handed changes in less than 10 seconds

### **STATUS DISPLAY**

easily see power applied and battery charge percentage during usage

### **CUT FRAMES**

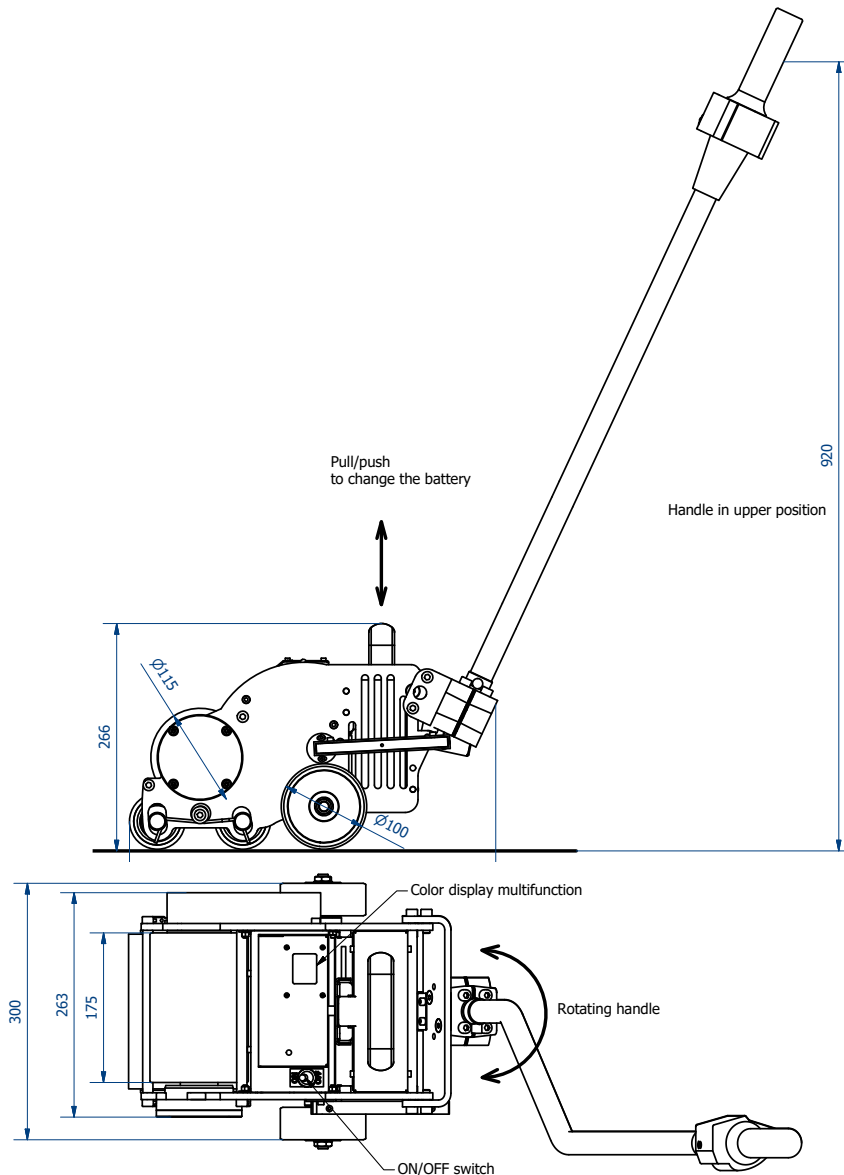
for an easy removal of the roller and roller bearings

### **2 YEAR WARRANTY**

the only product in its category with a 2-year warranty on both the motor and the battery

# MRE XS

**MRE XS** is compact and handy but heavy duty at the same time. It's the best solution when the need of separating two rolls arises. The handle can be mounted at two heights from the ground, 850 or 920 mm.



model	thrust force	lift force	max rolls diameter	motor	battery	max speed	unit weight
MRE 100 XS	12000 kg	3000 kg	2100 mm	48 V DC IP 44 brushless	lithium 48 V	13 m/min	30 kg
MRE 200 XS	16000 kg	4000 kg	2100 mm	48 V DC IP 44 brushless	lithium 48 V	9 m/min	30 kg
MRE 300 XS	20000 kg	5000 kg	2100 mm	48 V DC IP 44 brushless	lithium 48 V	7 m/min	30 kg

**renova srl**  
 registered office : via palmanova 24, 20132 milano - italy  
 operational hq: viale rimembranze 93, 20099 sesto s. g., milano - italy  
 VAT IT03758670965 | REA MI-1699970 | share capital. €10.000,00

**www.renova-srl.com**  
 support@renova-srl.com  
 info@renova-srl.com  
 t. +39 02 27007394

