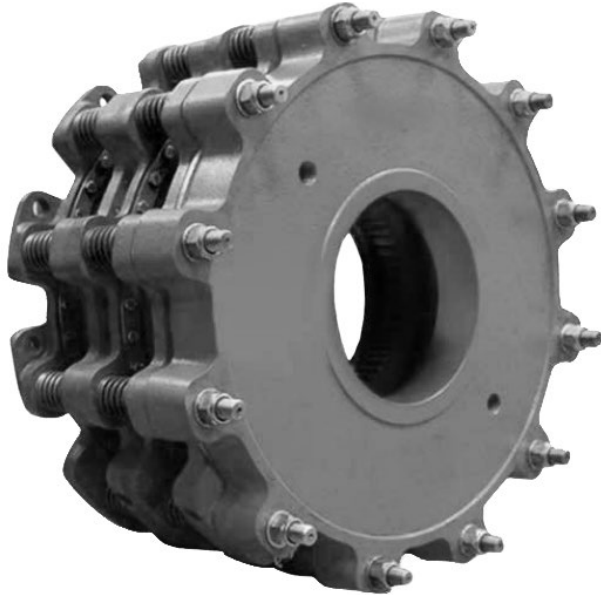


brakematic

WATER-COOLED BRAKES AND CLUTCHES



MULTIDISC WATER-COOLED BRAKES AND CLUTCHES

We offer a wide range of standard brakes and clutches that meet the needs of the industry through a flexible approach to application and sales support.

Thanks to an early involvement in design processes and its manufacturing and organizing flexibility, Renova also offers the possibility of quickly realizing products designed and manufactured according to customized specifications.

These types of brakes are designed specifically for applications that involve high heat braking and constant slips. The brakes are pneumatically actuated and cooled down through the use of a continuous flow of coolant from either an open or closed loop cooling system.

MULTIDISC DESIGN

1, 2, 3 or 4 disc design

MULTIPLE APPLICATIONS

continuous slipping, tension control, heavy duty stopping, holding and cyclic applications

HIGH HEAT TRANSFER

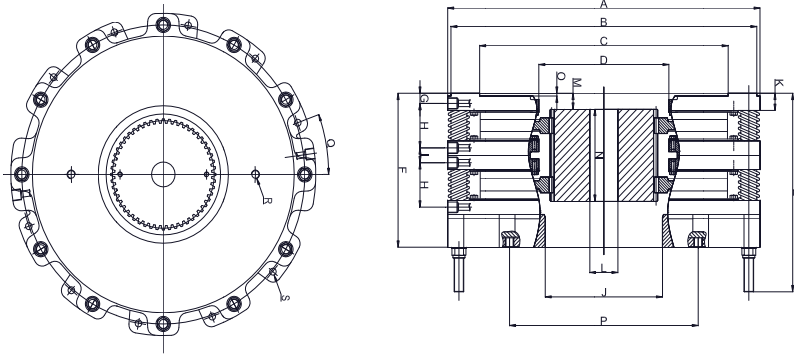
water cooled for high heat transfer

100% INTERCHANGEABLE

100% interchangeable with other water-cooled brakes available on the market

CBW

Custom-fitted brakes with water-cooled design, in 11" and 18" sizes.
When the friction material wears, it is possible to compensate the gap removing the spacers (A)



dimensions (mm)	CBW 111	CBW 211	CBW 311	CBW 118	CBW 218	CBW 318	CBW 418
A	400	400	400	600	600	600	600
B	374	374	374	590,5	590,5	590,5	590,5
C	295	295	295	463,5	463,5	463,5	463,5
D	137	137	137	280	280	280	280
E	174	266	358	210,7	340,5	472,1	602,8
F	142,3	234,3	326,3	170,7	271,4	372,1	472,8
G	20,5	20,5	20,5	21	21	21	21
H	65	65	65	71,7	71,7	71,7	71,7
J	133,6	133,6	133,6	216	216	216	216
K	33	33	33	33,5	33,5	33,5	33,5
I	27	27	27	29	29	29	29
L min	25,4	25,4	25,4	57	57	57	57
L max	76,2	76,2	76,2	136	136	136	136
M	19,1	19,1	19,1	31,75	31,75	31,75	31,75
N	73,2	155,7	238,2	50	151	252	353
O	7	7	7	6,5	6,5	6,5	6,5
P	210	210	210	363	363	363	363
Q	60°	60°	60°	20°	20°	20°	20°
R (n°)	2	2	2	2	2	2	2
R (size)	1/2"	1/2"	1/2"	1/2"	1/2"	1/2"	1/2"
R (Ø)	360	360	360	360	360	360	360
S (n°)	4	4	4	10	10	10	10
S (size)	18	18	18	16	16	16	16
S (Ø)	374,65	374,65	374,65	558,8	558,8	558,8	558,8

CBW11	CBW 111	CBW 211	CBW 311	CBW18	CBW 118	CBW 218	CBW 318	CBW 418
min torque (7 bar)	3600 Nm	7220 Nm	7220 Nm	min torque (7 bar)	3600 Nm	7220 Nm	10800 Nm	14400 Nm
max torque (7 bar)	7950 Nm	15800 Nm	15800 Nm	max torque (7 bar)	7950 Nm	15800 Nm	23800 Nm	31800 Nm
max speed	1500 rpm	1500 rpm	1500 rpm	max speed	850 rpm	850 rpm	850 rpm	850 rpm
water flow	20 l/min	40 l/min	60 l/min	water flow	45 l/min	91 l/min	136 l/min	181 l/min
inertia	0,09 kgm ²	0,18 kgm ²	0,27 kgm ²	inertia	0,75 kgm ²	1,57 kgm ²	2,36 kgm ²	3,17 kgm ²
weight	60 kg	90 kg	120 kg	weight	189 kg	281 kg	395 kg	503 kg